

## VIBROTOR® High Frequency Roller Vibrators

### Ask about quantity discounts!

VIBROTOR® High-Frequency, Industrial Roller Vibrators provide the highest force-to-weight ratio available. The high-speed/high-force provides the energy required for concrete and refractory compaction. Bins and hoppers that contain high bulk-density materials can easily be evacuated with these units.



## FEATURES

### Extremely High Force

Designed to handle the tough jobs, VIBROTOR™ Industrial Vibrators produce up to 14,500 pounds of force.

### Low Maintenance

Rollers orbit around a center shaft with one vane, no bearings to fail. Simple, rugged design handles the rough jobs.

### Permanent or Portable Mounts

Need portability? The CCR models are designed for quick change applications like precast concrete forms. DVR models bolt on, perfect for bins and hoppers or compaction tables.

### Additional Specifications

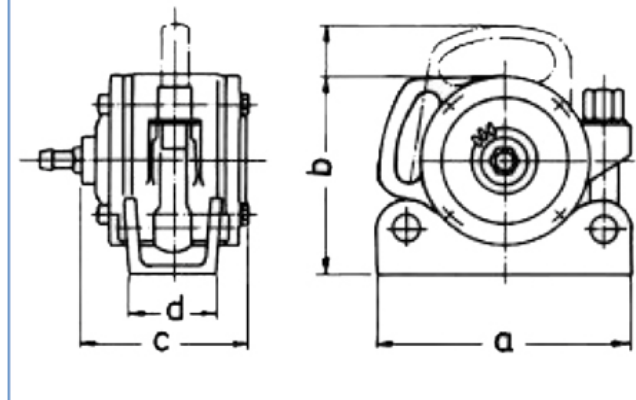
- Air pressure range: 30 – 90 psi.
- Operating Temperature: Max. 250° F.
- Air Preparation: 5-micron filter, pressure regulator, lubricator.
- Force (maximum): 14,500 force-lbs.
- Options: Portable brackets, hose whips, air control equipment.

## VIBROTOR® High Frequency Roller Vibrators

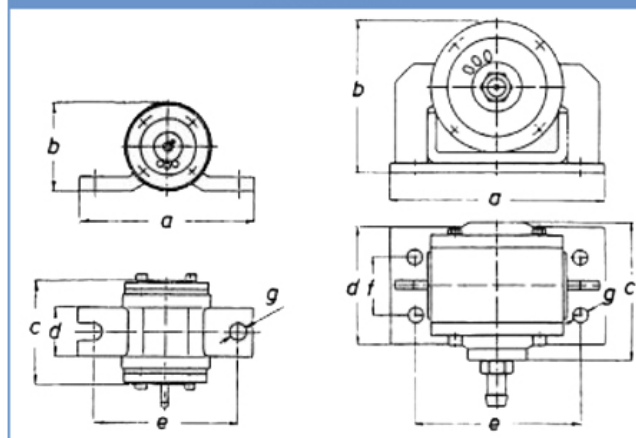
### DIMENSIONS

	A	B	C	D	E	F	G
DVR 700,1100,2600	8.66(220)	4.33(110)	6.89(175)	2.44(62)	7.09(180)	N/A	0.75(19)
DVR 5500,6500	10.0(254)	7.37(187)	6.5(165)	5.5(140)	7.87(200)	2.76(70)	0.75(19)
CCR-700,1100,2600	7.17(182)	5.51(140)	6.89(175)	3.54(90)	N/A	N/A	N/A
CCR-4400	7.17(182)	5.51(140)	6.89(175)	N/A	N/A	N/A	N/A
CCR-5500,6500,7800	9.63(245)	9.5(241)	6.75(171)	N/A	N/A	N/A	N/A
inches (mm)							
CRADLE LUG BRACKETS	A	B	C	D			
NVH1	7.09(180)	4.13(105)	2.36(60)	3.94(100)			
NVH4	9.45(240)	3.94(100)	2.76(70)	5.12(130)			
inches (mm)							

CCR 700-7800



DVR 700-6500



## VIBROTOR® High Frequency Roller Vibrators

### PERFORMANCE

	60 PSI (4.1 BAR)			80 PSI (5.52 BAR)		
	FREQUENCY VPM	FORCE LBS. (N)	AIR CONSUMPTION CFM (L/MIN)	FREQUENCY VPM	FORCE LBS. (N)	AIR CONSUMPTION CFM (L/MIN)
DVR-700	12500	408(1815)	39(1104)	13500	476(2117)	42(1189)
DVR-1100	11500	724(3220)	49(1388)	13500	998(4439)	56(1586)
DVR-2600	11500	1164(5177)	57(1614)	12000	1267(5636)	66(1869)
DVR-5500	12500	5500(24464)	55(1558)	14000	7000(31136)	58(1643)
DVR-6500	10700	7600(33805)	44(1246)	12500	10400(46259)	50(1416)
CCR-700	12500	408(1815)	39(1104)	13500	476(2117)	42(1189)
CCR-1100	11500	724(3220)	49(1388)	13500	998(4439)	56(1586)
CCR-2600	11500	1164(5177)	57(1614)	12000	1267(5636)	66(1869)
CCR-4400	13500	2281(10146)	65(1841)	15000	2800(12454)	73(2067)
CCR-5500	12500	5596(24891)	55(1558)	14000	7000(31136)	58(1643)
CCR-6500	10700	7616(33876)	44(1246)	12500	10400(46259)	50(1416)
CCR-7800	10500	13300(59158)	60(1699)	11000	14500(64496)	72(2039)
inches (mm)						

### PHOTOS



MARTIN® CCR 5500  
VIBROTOR™ consolidating  
precast concrete.



VIBROTOR™ Vibrators  
used on concrete form.