

Railcar Gate Openers

Open the toughest railcar gates safely & efficiently.

New and Improved with Pivoting Wheels! Great for tight locations! The MARTIN® Adjustable-Height Railcar Gate Opener is a powerful solution to improve the efficiency of railcar unloading. It easily opens tough rail car hopper gates, safely and efficiently without backbreaking labor, without damage to gate or mechanism, and without high noise.

- No More Stalled Operations Due to Stubborn Gates
- No More Excess Labor Needed to Force Open Gates
- No More Back Injuries From Trying to Muscle Open Gates



FEATURES

Powerful Rail Car Gate Opener

Provides 2700 lbs of torque at 90 psi, (visualize a 200 lb. man standing on a 13 foot pry bar!) to open the most stubborn hopper car gate

Maneuverable

Wheeled cart can be positioned by one rail car worker. One lever rotates wheels 90 degrees. Pivoting wheels maintain contact with traveling capstan.

Adjustable Height

Change capstan height to fit various car gates and compensate for variations in unloading platforms.

Adjustable Width

Fits through narrow doors, spread to stabilize unit for operation.

Adjustable Handle

Easily adjusts to suit operator performance.

Steel Tube Frame

Rugged construction provides long life in “real world” conditions.

Durable Wheels

10” x 4” pneumatic wheels maneuver easily over rough rail side conditions.

Controlled

Provides smooth, non-impacting force to open gate without damage.

Quiet

Noise measured at 83 dBA at operator position.

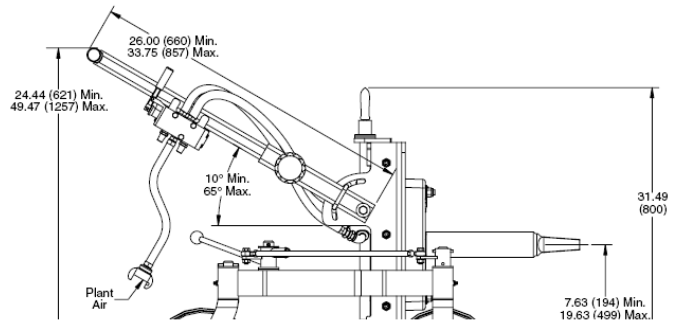
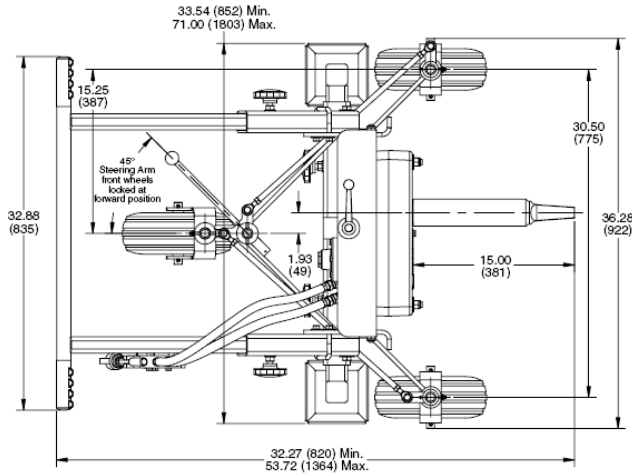
Additional Specifications

- Air Supply: 90 to 120 psi (6.2 to 8.2 bar)
- Air Consumption: 18.5 to 20.5 cfm (8.7 to 9.7 L/sec)
- RPM at Drive Shaft at 90 psi (6.2 bar): 8.4
- Output Force at 90 psi (6.2 bar): 2700 lb (1225 kg)
- Noise Level (1 meter from muffler): 83 db
- Part Number: 38475
- Shipping Weight: 500 lbs (226.8 kg)

Railcar Gate Openers

DIMENSIONS

DIMENSIONS—in. (mm)



PHOTOS



MARTIN® Adjustable-Height Railcar Gate Opener delivers 2700 pounds of torque at 90 PSI to open tough gates efficiently, without excessive manual labor or damage to cars.

MARTIN® Adjustable-Height Railcar Gate Opener

Save time and money with a powerful pneumatic railcar opener, by expediting the opening and closing of stubborn railcar gates while reducing the risk of injury.

Our pneumatic opener is safe and easy-to-use