

## MARTIN® E-Z™ Auto Scoop Filling System

### Tired of scooping or hand filling?

Concerned about repetitive motion injuries? Want to increase your number of containers per hour? If so, the MARTIN® E-Z Auto Scoop Filling System is for you! Place your container on the scale and step on the foot switch. In seconds, your product will be dispensed fast and accurate.



### Custom Hopper/Feeder Sizes & Configurations Available

**Problem:** A chemical supplier was experiencing high labor costs when filling containers by hand. The operator positioned 1 & 1.5-pound containers on a scale and scooped material into the containers, by hand, until the weight was reached.

**Solution:** A special MARTIN® E-Z™ Weigh System was developed. The operator now places the containers on the scale and pushes a foot switch. The scale logic tares the scale to zero and then activates the MARTIN® E-Z™ Feeder. When the scale is satisfied the feeder is stopped and the operator removes the filled container.

**Result:** Labor costs are reduced by 50%, spillage is greatly reduced as is the overfill of the containers.



## FEATURES

### Developed Specifically For Short Runs

Gourmet food manufacturers, re-packers, coffee and spice sellers, chemical packagers and other packing professionals will find that E-Z Auto Scoop Filling System meets the needs for capacities up to 750 fills per hour.

### Cleaning Is A Snap

The live storage hoppers (capacities from .9 – 4.1 cu.ft.) lift off with no fasteners to remove. The entire assembly is fabricated from electro-polished 304 SS.

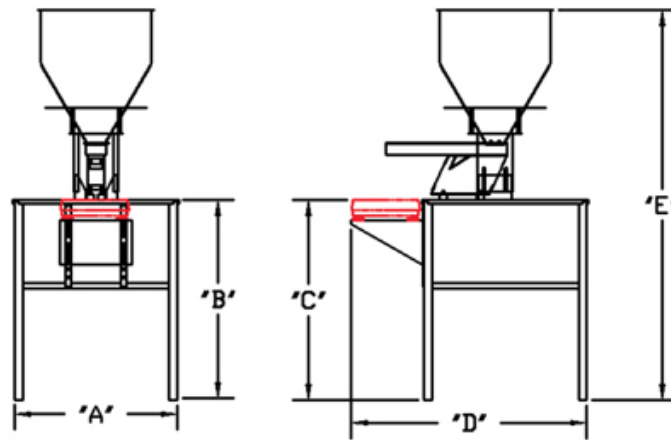
### Reliable, Easy To Operate Controls

Change the target weight in seconds. No proprietary software. Worldwide service network.

# MARTIN® E-Z™ Auto Scoop Filling System

## DIMENSIONS

A	B	C	D	E*	AIR CONSUMPTION CFM (L/MIN)		
					30PSI (2BAR)	60PSI (4.1BAR)	
30(762)	36(914)	36(914)	43(1092)	71(1803)	.49(14)	1.25(57)	
inches (mm)							



NOTE: ADD 3 5/8 INCHES FOR CASTERS

## PHOTOS



Easy to operate controls | MARTIN® E-Z™ Auto Scoop Filling System



MARTIN® E-Z™ Auto Scoop Filling System



Dispenses fast and accurately.



MARTIN® E-Z™ Auto Scoop Filling System